



## RFT-20-2U

### 2U 20" Sun Compatible LCD Server Console



ALL OUR RFT SOLUTIONS HAVE BEEN DESIGNED FOR MILITARY AND RUGGED ENVIRONMENTS, BUT PRICED IN A WAY THAT IT CAN BE USED IN THE AVERAGE SERVER RACK. WHAT YOU END UP WITH IS A VERY DEPENDABLE SYSTEM THAT WILL HOLD UP TO ANY ENVIRONMENT AND IS BUILT TO LAST LONG AFTER YOU UPGRADE YOUR SERVERS.

- LOCKDOWN LCD LATCHES
- 1600 X 1200 RES
- PROTECTIVE LCD GLASS
- 2-YEAR WARRANTY



### KEY FEATURES

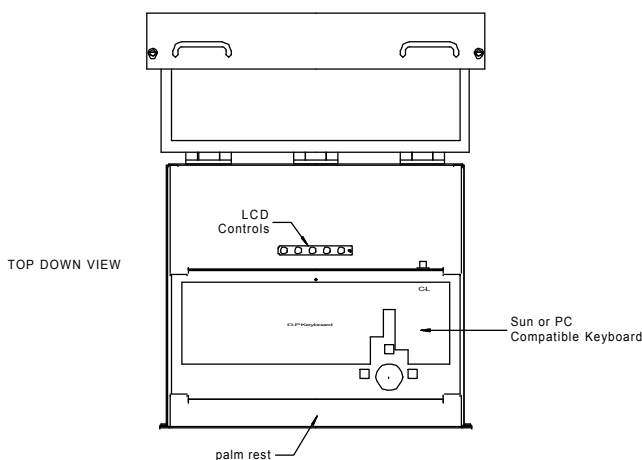
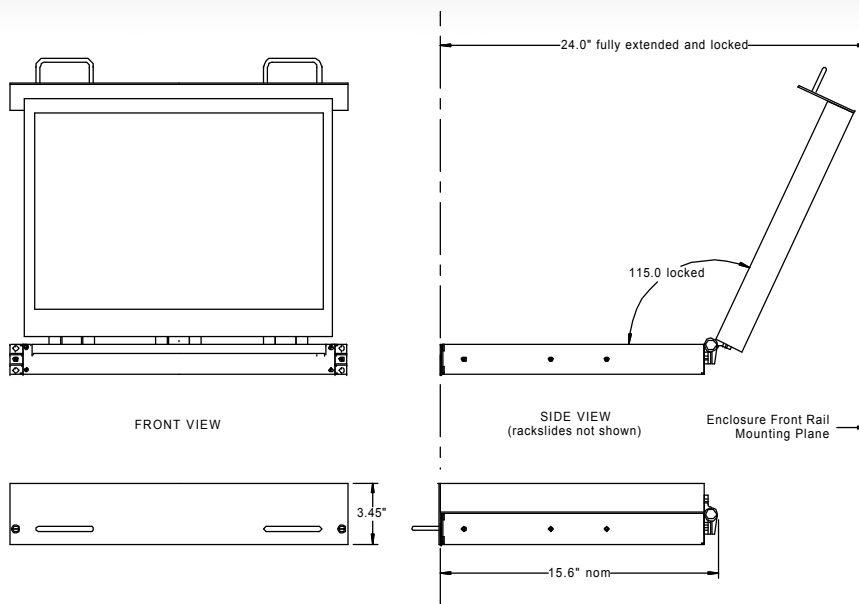
- All 1U products have been Solaris Ready certified.
- USB and Sun Serial connectors
- Entire unit only 1U (1.75") high
- Native 1600 x 1200 resolution
- 3-button optical trackball
- Keyboards for over 10 languages
- LCD power-up when raised Several

- LCD locking positions
- Lock-down mechanism for LCD when not in use
- NEMA sealed front 2mm protective glass for LCD
- 15-pin VGA connections
- Windows, Sun, Unix, Linux, OS/2, X Windows and Apple compatible

- 2-Year Parts and Labor Warranty
- Fits 24" to 36" rack depths via adjustable mounting brackets (specs)
- 28 and 48-volt DC and 400Hz power supply options.

RFT2U-20: 20" SUN COMP. LCD SERVER CONSOLE

# RFT-20: 2U 20" Sun Compatible LCD Server Console



## LCD TECHNOLOGY

### LCD Technology:

- Active matrix TFT color LCD
- 20.1" diagonal screen size
- 1600 x 1200 addressable pixels
- 0.294mm pixel pitch
- 300cd/m<sup>2</sup> (typ.) brightness
- 600:1 (typ.) contrast ratio
- Tr: 30ms / Tf: 25ms (typ.)
- L/R=80° / 80°, U/D=80° / 80° viewing angle
- 50,000 hours life (min.)
- Display Resolution:**  
1600 pixels(H) x 1200 lines(V)
- Active Display Area:**  
376.32mm(H) x 301mm(V)
- Displayable Color:**

- 16.7M colors
- Horizontal Scan:**  
31.5kHz to 80kHz
- Vertical Refresh:** 56Hz to 75Hz
- Pixel Frequency:** 135MHz
- Compatibility:**
  - PC - IBM - Linux: Up to 1600 x 1200 non-interlaced
  - Apple Macintosh: Up to 1600 x 1200
  - Sun Microsystems/Unix: 1600 x 1200 including 1152 x 900, 66 / 76Hz
- Input Signal:**
  - Video: analog RGB 0.7 Vp-p
  - Sync: separate sync, composite sync, sync. on green

- Auto-adjustment:** Yes
- I/O Connectors:**
  - DC power in . VGA in D-sub 15 pin
- Power Consumption:**  
55 watt (max.), < 5 watt (off mode)
- LCD Agency approval:**  
FCC-B, CE-B, VCCI-II, BSMI, CCIB, UL, CUL, TUV, CB, TCO' 99
- Operating Temperature:**  
0°~40°C / 32°~104°F . Humidity: 80% maximum
- Storage Temperature:**  
-20°~60°C / -4°~140°F . Humidity: 95% max.