

8

7

6

5

4

3

2

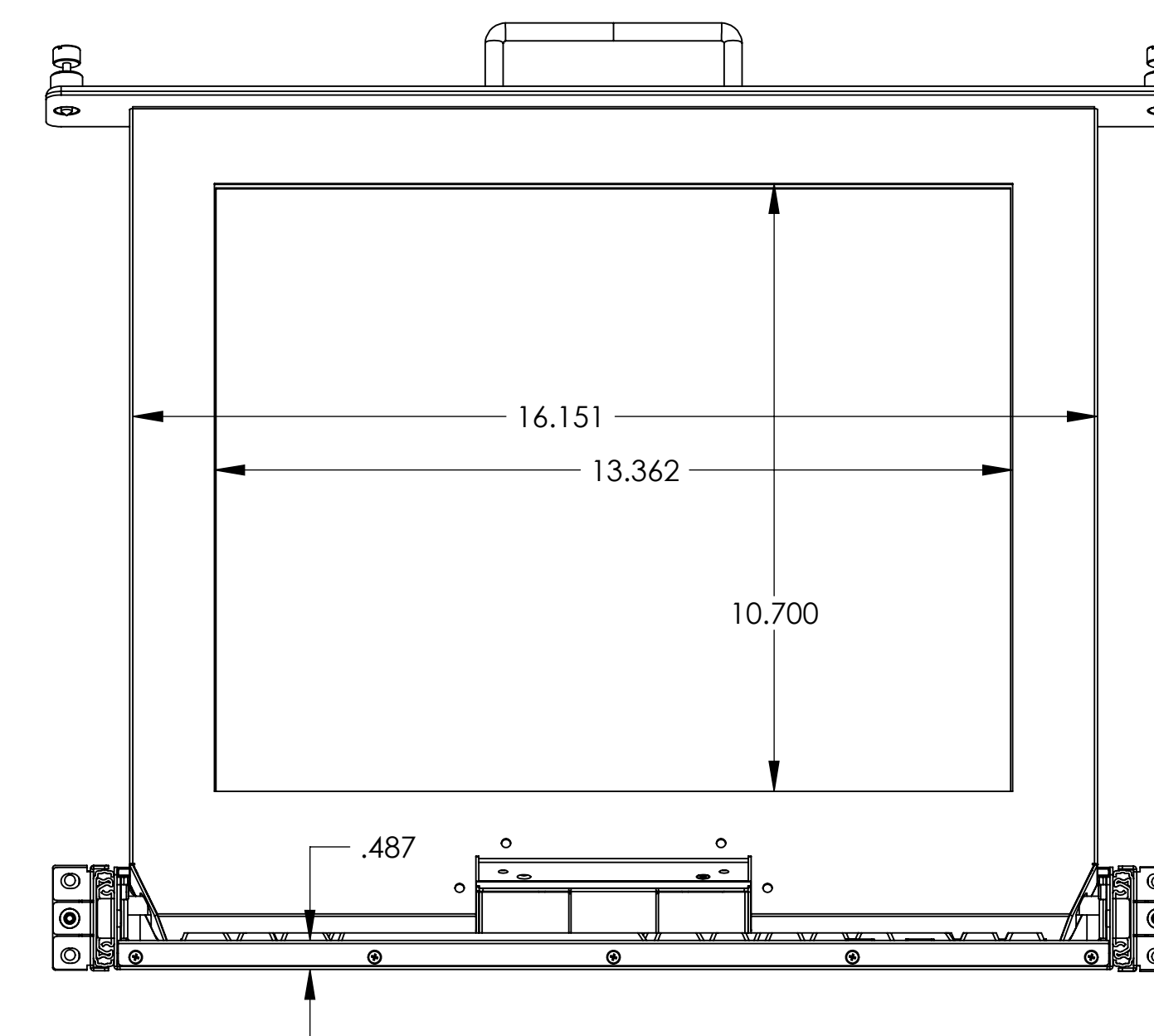
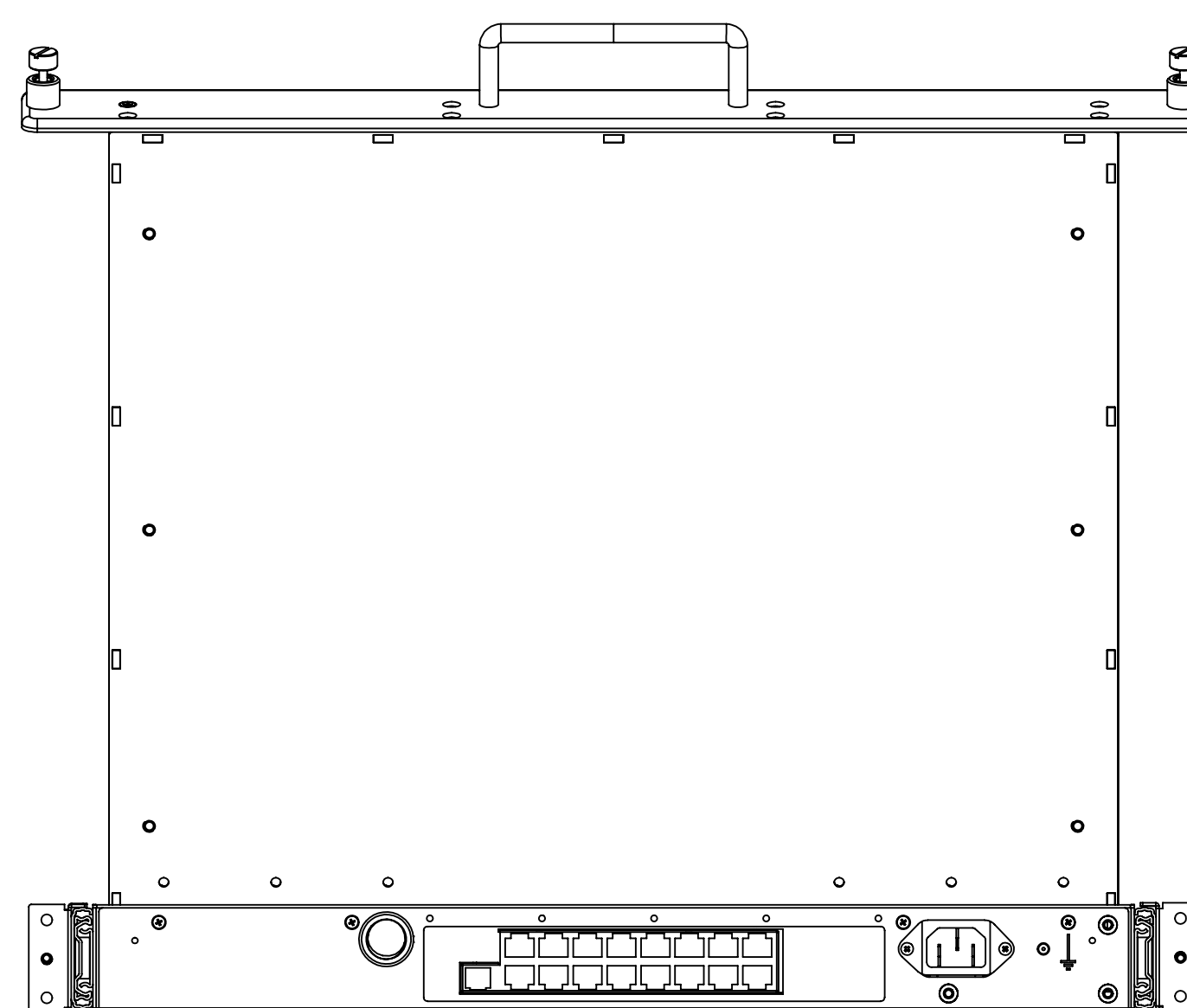
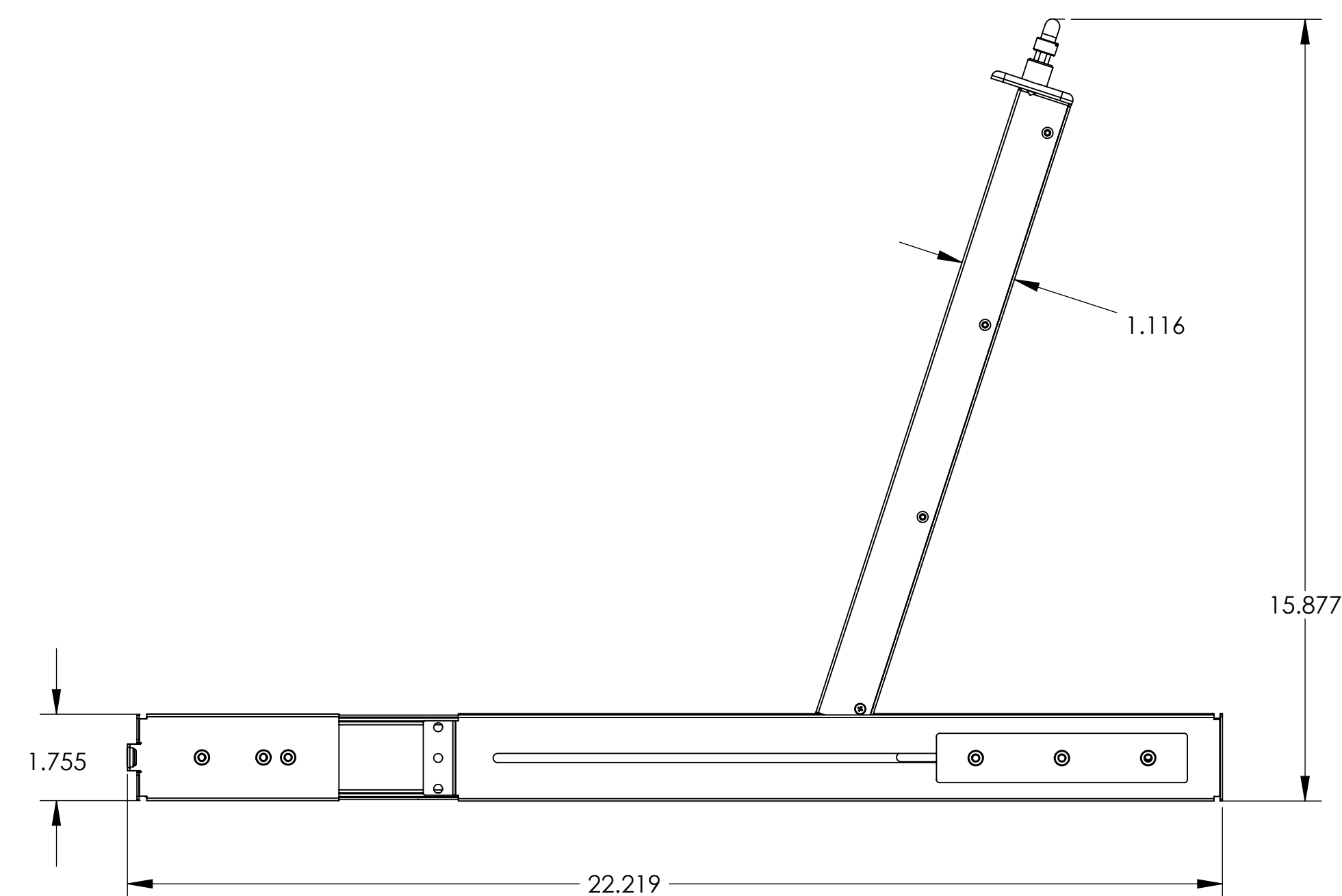
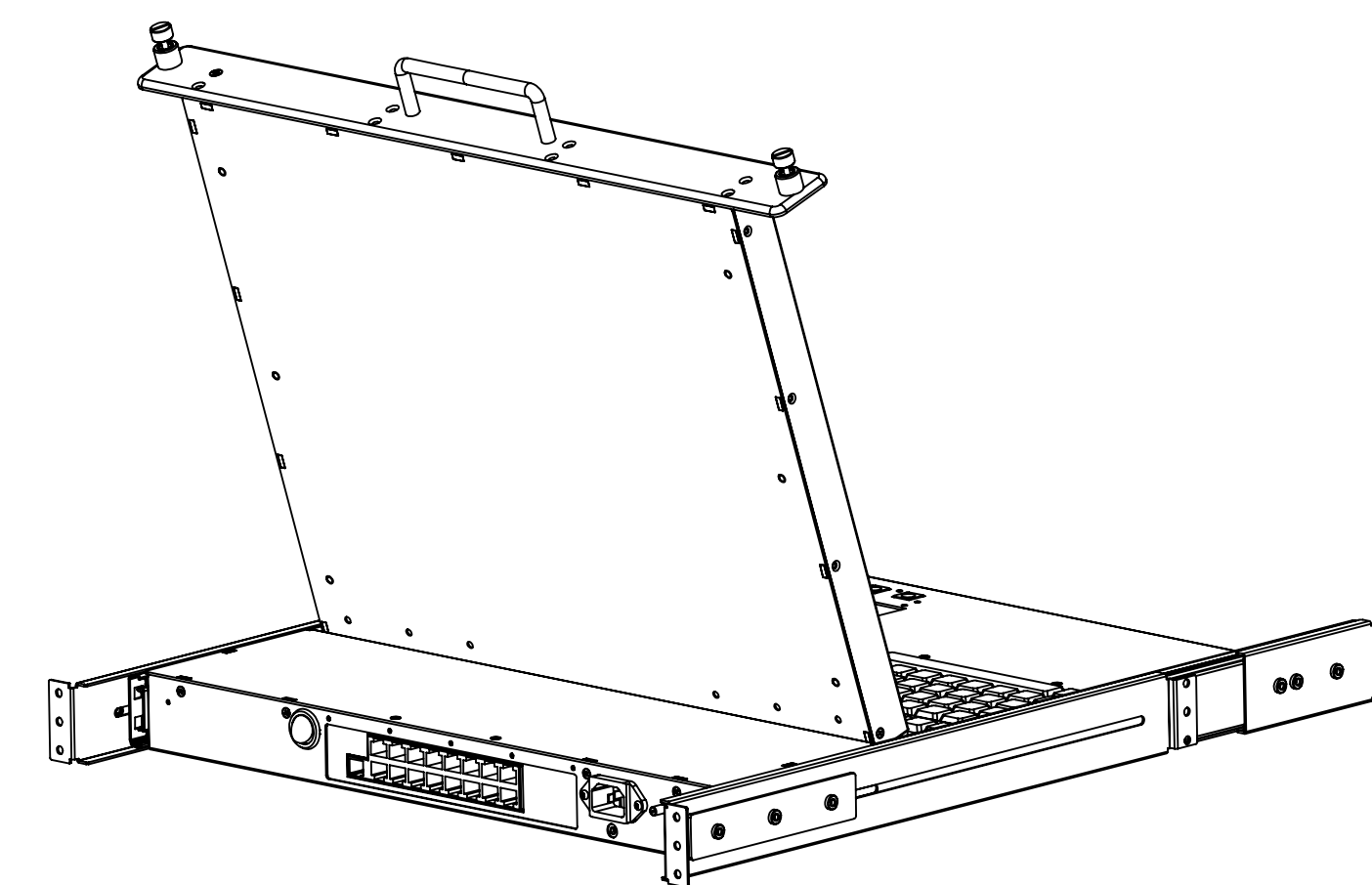
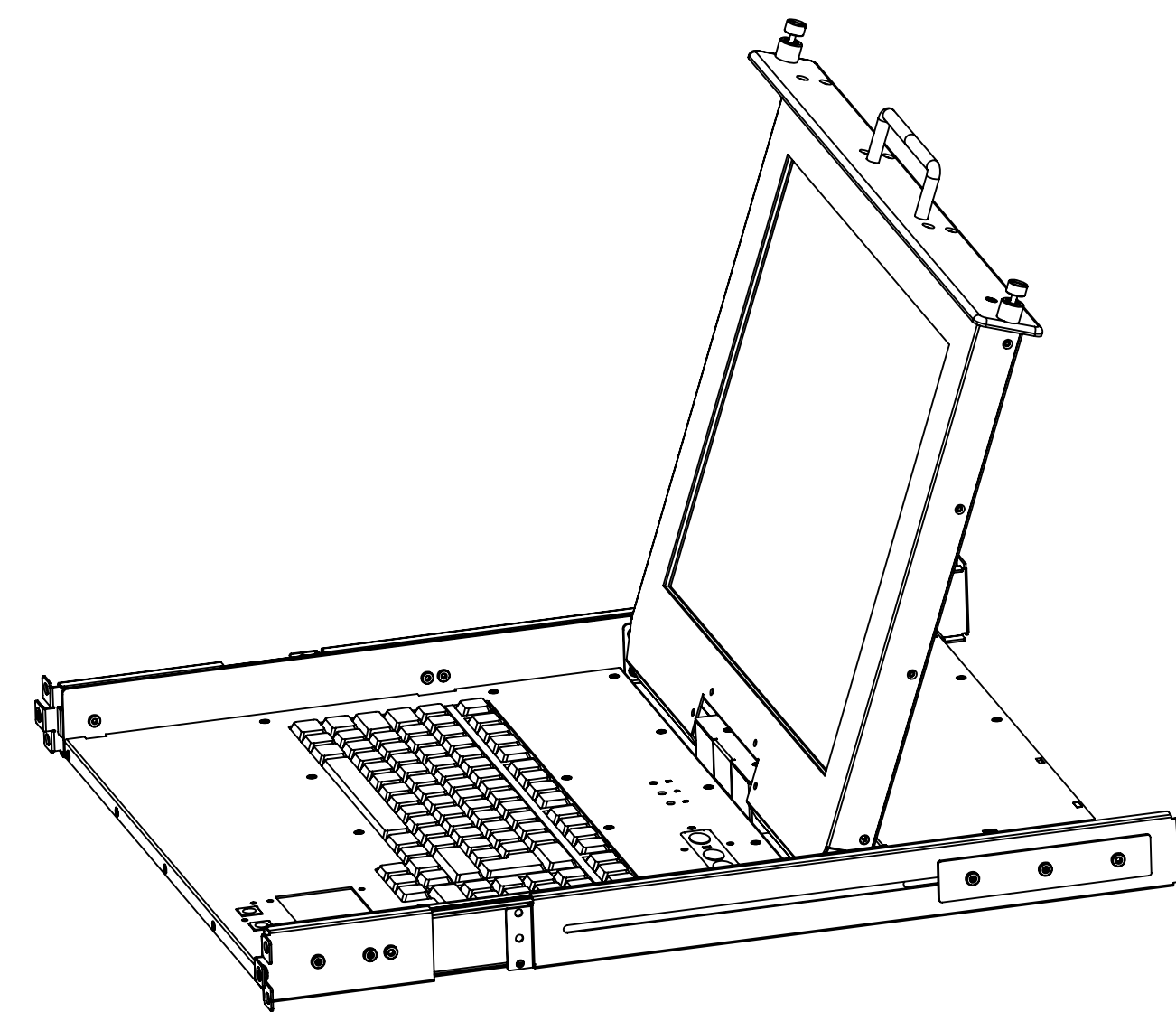
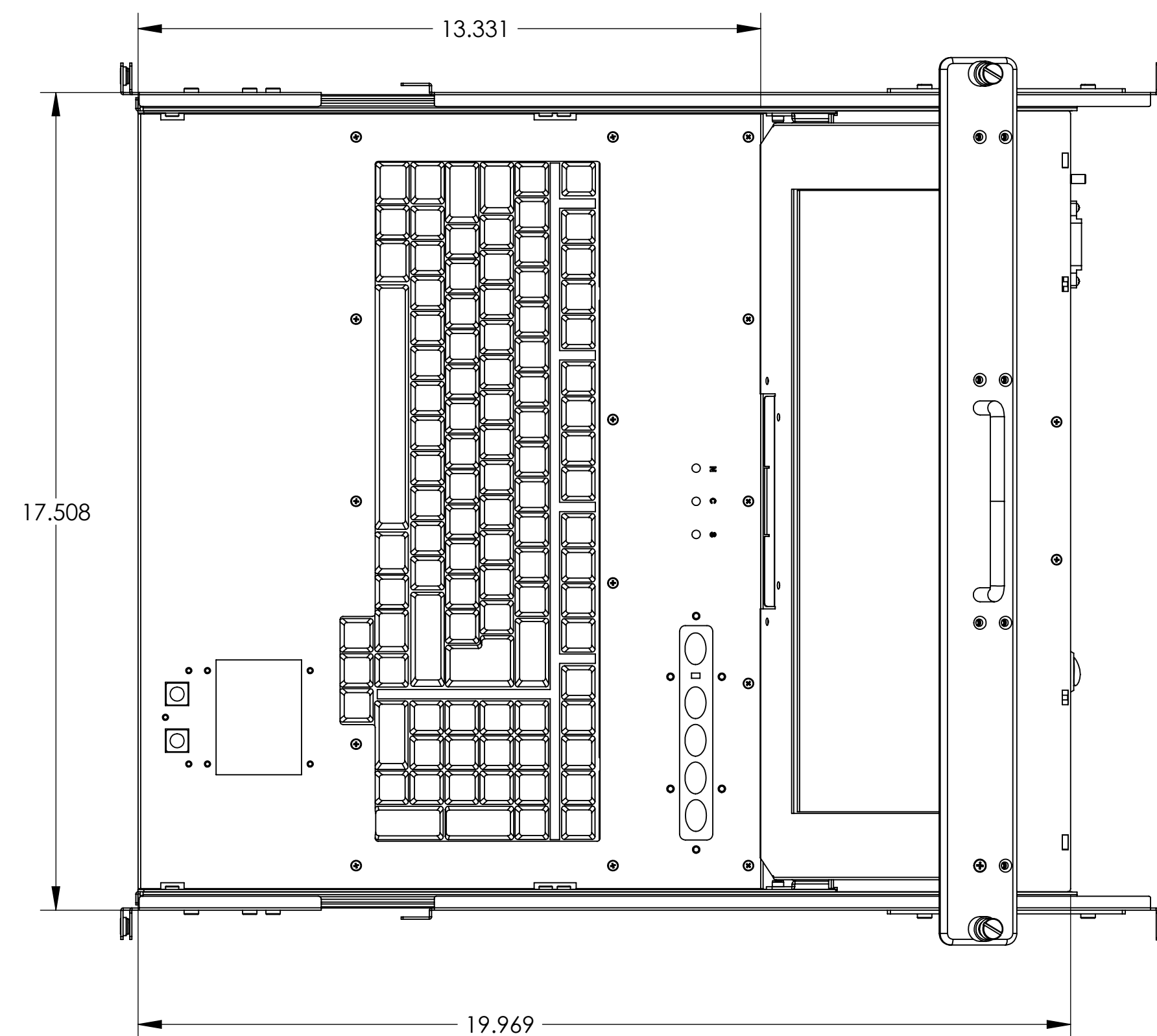
1

PROPRIETARY AND CONFIDENTIAL

THE INFORMATION CONTAINED IN THIS DRAWING IS THE SOLE PROPERTY OF NEURO LOGIC SYSTEMS INC. ANY REPRODUCTION IN PART OR AS A WHOLE WITHOUT WRITTEN PERMISSION OF NEURO LOGIC SYSTEMS INC. IS PROHIBITED.

REVISION RECORD

REV	BY	DATE



DIMENSIONS ARE IN INCHES UNLESS OTHERWISE SPECIFIED.

TOLERANCES

DECIMALS .XX = ±0.010 .XXX = ±0.005

ANGLES ±.5°

MATERIAL:

FINISH:

	NAME	DATE
DESIGNED	Steve Sitko	11/12/08
DRAWN	J. Villegas	11/13/2008
ENG APPR.	Steve Sitko	11/12/08
MFG APPR.		

DO NOT SCALE DRAWING

COMMENTS:



451-C Constitution Ave. Camarillo, CA 93012 805-389-5435, 5436 FAX

TITLE: CSC17 CAT5

FILE: CSC17_CAT5

SIZE DWG. NO. B C062-17-0000-CAT5

SCALE

SHEET 1 OF 1

8

7

6

5

4

3

2

1