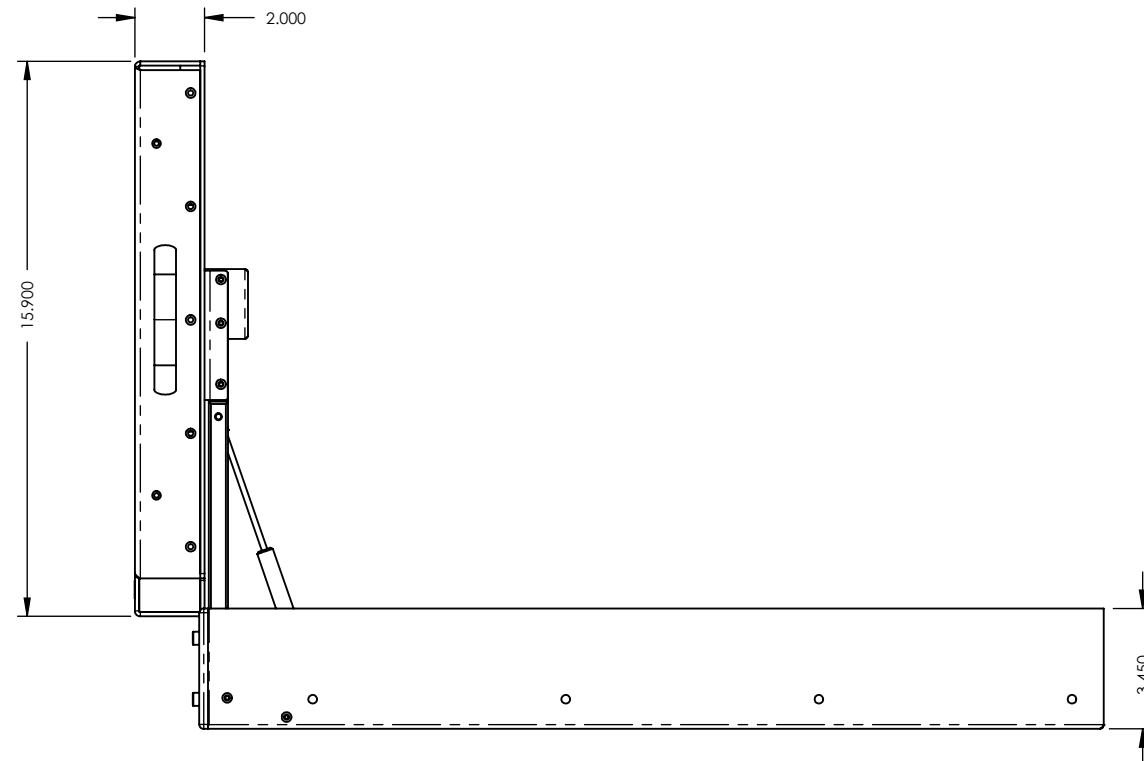
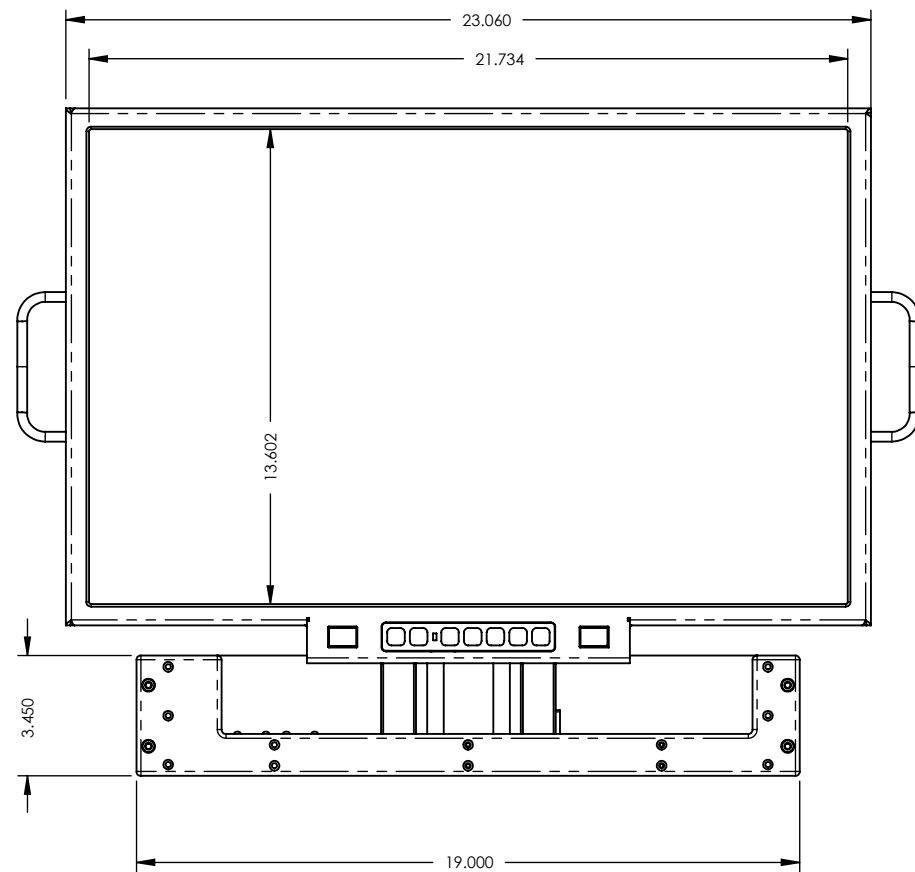
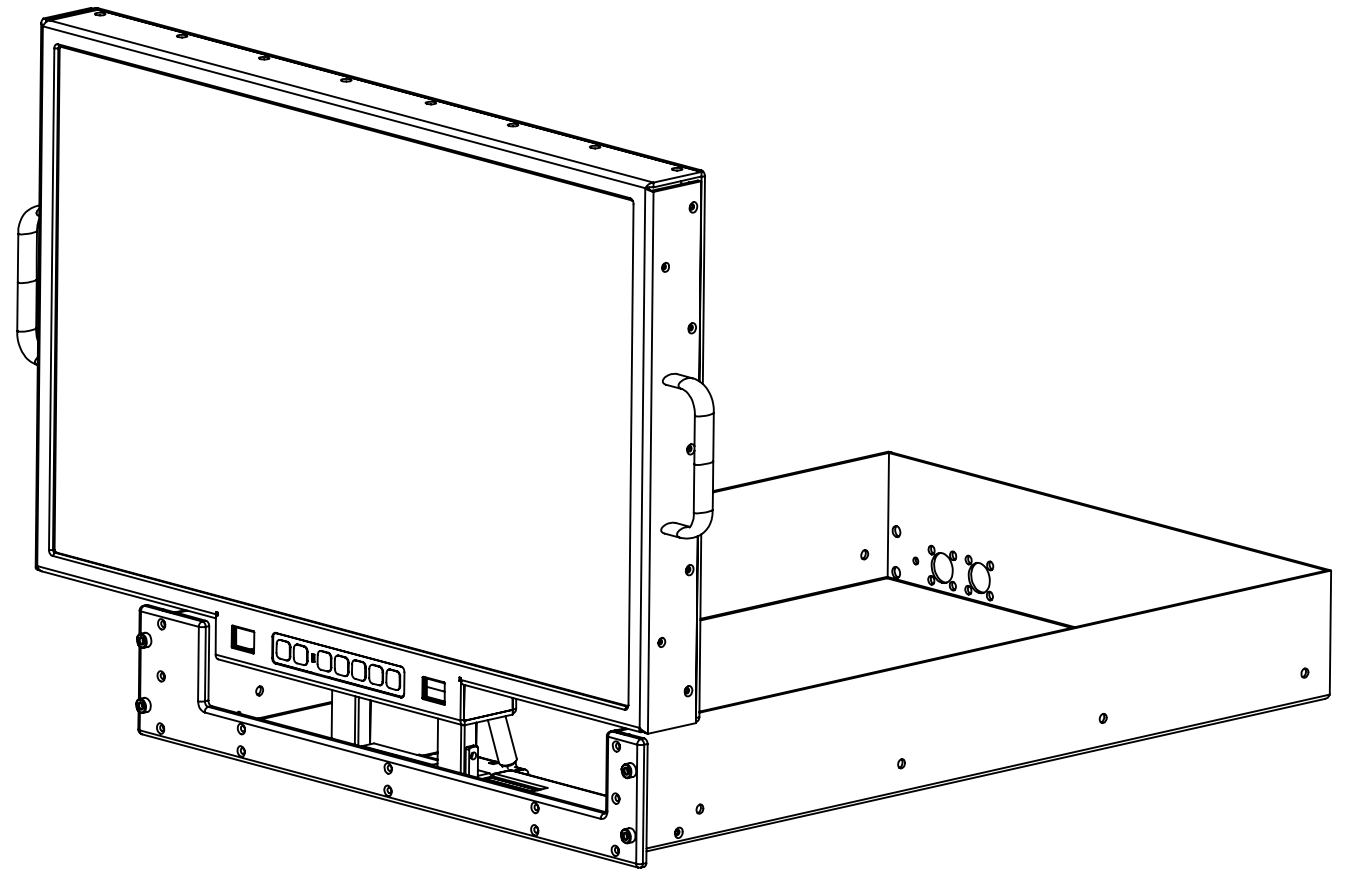
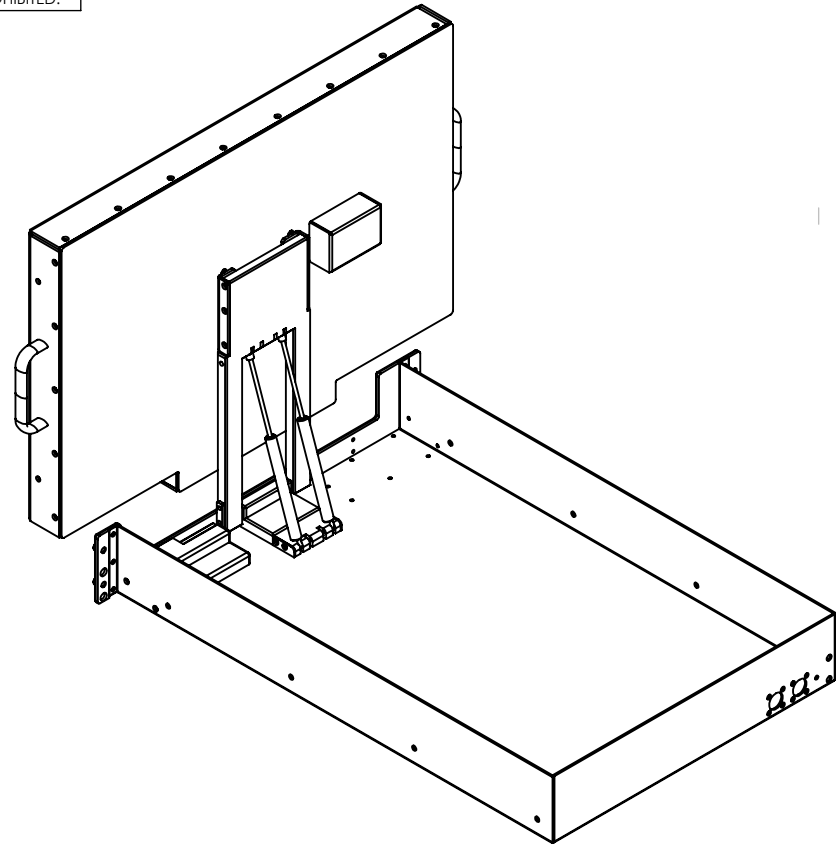


THE INFORMATION CONTAINED IN THIS DRAWING IS THE SOLE PROPERTY OF NEURO LOGIC SYSTEMS INC. ANY REPRODUCTION IN PART OR AS WHOLE WITHOUT WRITTEN PERMISSION OF NEURO LOGIC SYSTEMS INC. IS PROHIBITED.



© 2007 Neuro Logic Systems, Inc. All rights reserved.



451-C Constitution Ave.
Camarillo, CA 93012
805-389-5435, 5436 FAX

TITLE: RF-TD-26 Assembly		
SIZE	FILE	REV
B	RF-TD-26	
6/29/2009	Scale: 1:8	DRAWN BY: